

Avery Weigh-Tronix



# ZM

510 INDICATOR

Flexible, high performance  
indicator for advanced  
weighing tasks

*Flexible weight indicator for advanced applications*

# Responsive Performance

**Avery Weigh-Tronix**

The ZM510 is a high performance, multi-function indicator, flexible enough to adapt to complex weighing tasks. Programmable and highly connective, the ZM510 displays, analyses, stores, and transmits data across devices, offering an end-to-end, personalised weighing solution.

## User-centred design

### Enclosures

Constructed for use in the office, dusty, wet or high pressure, heavy washdown and outdoor environments, the ZM510 is IP69K certified and enclosed in 304 brushed stainless steel. Designed for long service in extreme conditions, including corrosive environments and frequent, heavy washdown, the ZM510 adapts to desk, wall or column mount applications.

### Keypads

With metal domed tactile keys and audio contact confirmation, the ZM510's large QWERTY keypad makes it flexible for use across all applications.

Five programmable keys allow for specific weighing tasks to be assigned to the indicator, allowing weighing operations to be carried out quickly and effectively. The ZM510 can also be connected to a USB keyboard.

### Dot matrix graphical display

High contrast, Improved Super Twisted Nematic graphic display gives the ZM510 excellent visibility and colour contrast. With its wide viewing angles, the ultra bright green and black dot graphic display is easily visible in extreme working conditions and

can be reversed for optimum viewing in light or dark working environments.

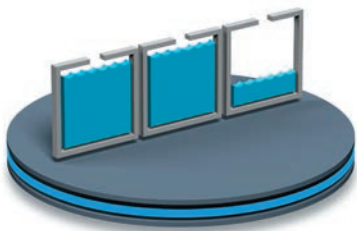
Pixels can be organised on the display to create personalised numeric, alpha and images for Operator Human Machine Interface visual aids.



## Unparalleled personalisation

The ZM510 has been designed with complete user personalisation in mind. Pre-programmed with a selection of weighbridge weighing functions, the ZM510's user friendly interface makes this type of complex weighing operation straightforward.

The ZM510 is equally compatible with a wide range of other weighing platforms, including bench and floor scales and scales for batching, counting and checkweighing.



### Multiple In

Allows vehicles with multiple sections or tanks to be weighed after each section is filled.



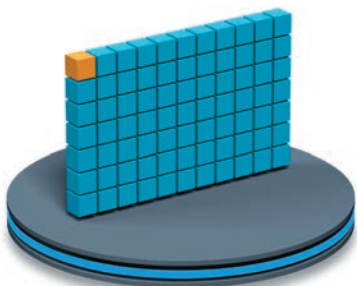
### Hauliers

Users can choose whether haulier information is to be entered into the system during the IN or OUT weighing transaction – or not at all.



### Harmonizer™ Filtering

This adjustable system improves weighing accuracy, by automatically detecting and cancelling out specific types of interference caused by mixing operations, vibration or machine "noise".



### Net Weight Allowance

The operator can subtract a nominal weight from the total product weight to compensate for foreign matter in the product such as dirt and moisture. This can only be used in non-legal for trade transactions.



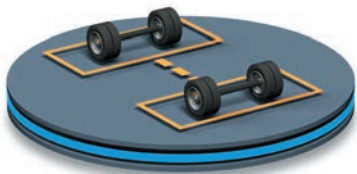
### Customer/Supplier

When enabled, the indicator will ask whether the OUT weighing transaction relates to a customer or supplier and if so, the user can select a customer or supplier name from a list onscreen.



### User Defined Fields

Up to five questions can be entered into the system, which can be programmed to ask these questions during the IN or OUT weighing transactions, during both of these weighing transactions or never.



### Axle

Single or combined axle weighing can be selected – and also whether a vehicle ID is required and the print format when using this function.



### Public

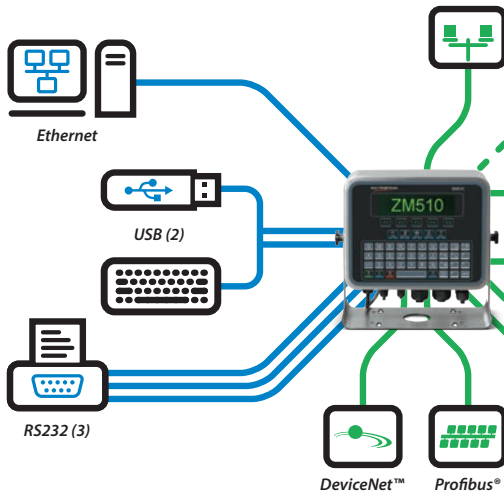
Anyone can weigh their vehicle and print the weight information from a single weighing transaction when this function is enabled.



### Complete Personalisation

Powered by our Ztools software, weighing operations can be programmed into the ZM510's five soft keys, allowing a multitude of weighing operations, instantly.

**STANDARD CONNECTIVITY**



**Tailored connectivity**

The ZM510 offers a new level of multiconnectivity, ensuring compatibility and communication between old and new peripheral technologies.

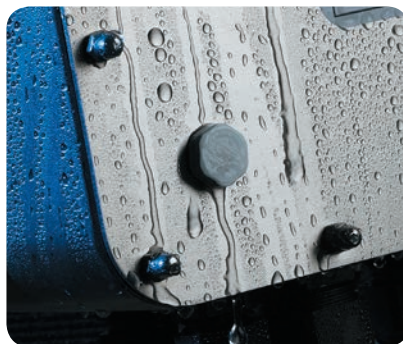
An Ethernet port can be configured to support ten independent devices, supporting DHCP client/server and Ethernet sockets in addition to all serial protocols. Also included as standard are three RS232 serial interface ports for data transfer to older equipment and connection to the Avery Weigh-Tronix BSQ digital bench base. Two USB host ports facilitate communication with printers or keyboards and data transfer via a USB storage device.

**IP69K Certification and Gore Vent**

The laboratory certified IP69K stainless steel enclosure on the ZM510 offers complete resistance to dust and water ingress. This makes the ZM510 ideal for use in high pressure, heavy washdown and dust prone applications.

In food applications, extremes of temperature inside and outside the enclosure can lead to moisture and humidity becoming trapped.

The Avery Weigh-Tronix IP69K certified indicators are fitted with GORE® Vent technology; a membrane which allows the indicator to breathe while guaranteeing no down time due to water ingress.



**OPTIONAL CONNECTIVITY**

**Options**

Option kits can be added to further extend the ZM510's functionality.

**Option Kits**

- › Analogue output kit: 0-5 VDC, 0-10 VDC and 4-20 mA
- › Current loop kit: Current loop and RS485/RS422 (supports T301X digital load cells)
- › USB device kit: Provides USB interface to PC
- › DeviceNet™ kit
- › Profibus© kit
- › Wireless (Ethernet) internal kit: 802.11b/g wireless data communications kit with antenna

**Tailored Connections**

- › Internal 120 VAC Relay module for IP69K model
- › Scale Input 10 VDC excitation with STVS kit
- › External I/O interface kit
- › DC Output, 4 relays 3-60VDC at 2A Kit
- › DC Input, 4 Inputs 4-30VDC kit
- › AC Output, 4 relays 20-240VAC at 1A kit (IP69K model)
- › AC Input, 4 Inputs 120-240VAC kit (IP69K model)
- › ZM-OPTO Provides 3 inputs and/or 3 outputs, external G4 interface modules
- › Lightning Protection: Severe Transient Voltage Suppressor (STVS)
- › Watertight Glands
- › USB Watertight Gland Rubberised and sealed
- › Ethernet Watertight Gland Rubberised and sealed

**Avery Weigh-Tronix**

[www.averyweigh-tronix.com](http://www.averyweigh-tronix.com)

*Avery Weigh-Tronix is an ITW company*



© Avery Weigh-Tronix group of companies 2016. All rights reserved. Avery Weigh-Tronix is a registered trademark of the Avery Weigh-Tronix group of companies. This publication is issued to provide outline information only which, unless agreed by an Avery Weigh-Tronix group company in writing, may not be regarded as a representation relating to the products or services concerned. This publication was correct at the time of going to print however, Avery Weigh-Tronix reserves the right to alter without notice the specification, design, price or conditions of supply of any product or service at any time.

zm510\_L\_UK\_501588.indd (C&D)  
V1 AWT35-501588